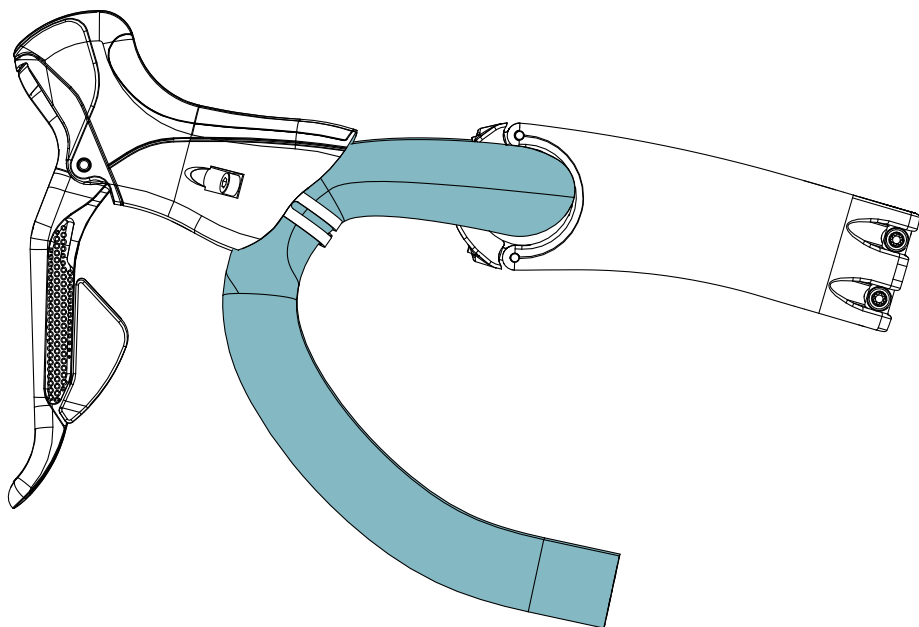




ULNA ROAD BAR USER MANUAL



THMULNA

The THM Ulna is a total re-think of a handlebar, using an additional internal structure to make it as stiff as much heavier competitors while being the lightest bar with a weight limit 110 kg (242 lbs.) including accessories. The bar is intended for use on road bikes only. The handlebar is available in varying widths measuring center to center. The handlebar is not compatible with aero handlebar extensions. Installation of aero handlebars will void the warranty and may result in damage to the handlebar.

Width Center to Center (drops)	Width Center to Center (hoods)	Weight*	Ø bar diameter	Min. width of stem (at the clamping interface)	Rider weight (including accessories)
400 mm (15,75 in)	384 mm (15,12 in)	153 g ± 5 %	31,8 ± 0,15 mm	40 mm	110 kg (242 lbs.)
420 mm (16,54 in)	404 mm (15,91 in)	155 g ± 5 %			
440 mm (17,32 in)	424 mm (16,69 in)	165 g ± 5 %			

* Technical specifications, dimensions and weights are quoted with the corresponding tolerances and may differ slightly from your THM components.

 **WARNING**

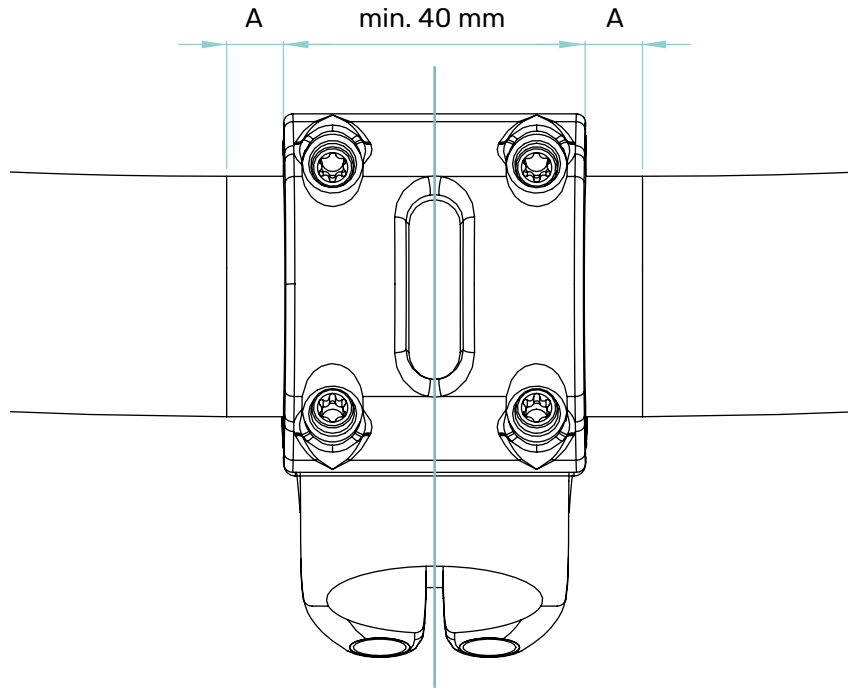
Ensure the stem is for a 31.8 mm clamping. Incorrect sizing can result in handlebar slippage and failure, causing personal injury or death.

 **WARNING**

Make sure to remove all sharp edges and burrs from the stem and brake lever clamp surface before assembly.

1 HANDLEBAR POSITION

- Center the handlebar on the stem using the abrasive surface . (Figure 1)



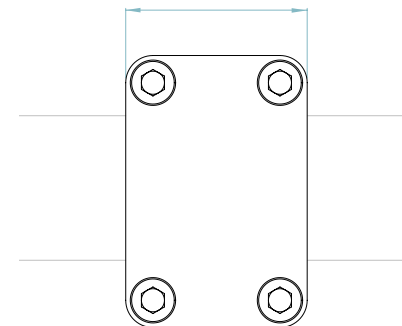
(Figure 1)

2 INSTALLING THE HANDLEBAR

- Use isopropyl alcohol or brake degreaser to clean stem and handlebar surfaces. Never apply any lubricant or grease to the handlebar clamping surface.
- Always use friction enhancer (carbon paste) on clamping surfaces.
- The order in which you tighten the screws depends on the type of stem you are using. Please refer to the owner's manual of your stem for the correct screw tightening procedure.
- Do not exceed the specified maximum torque for the handlebar. The maximum torque allowed for the handlebar is dependent upon the stem design (Figure 2 and Figure 3). If the specified torque of the stem and the handlebar is different, always use the lower of the two torques. Only use as much tightening torque as needed to fix the handlebar in the stem interface.

max. 4 Nm for a 4-bolt stem

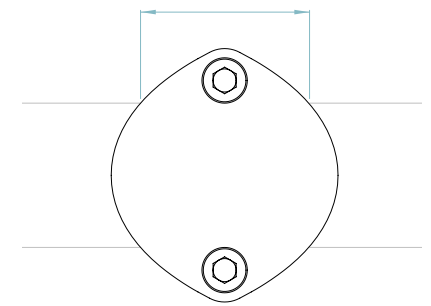
min. 40 mm



(Figure 2)

max. 8 Nm for a classic 2-bolt stem

min. 40 mm



(Figure 3)

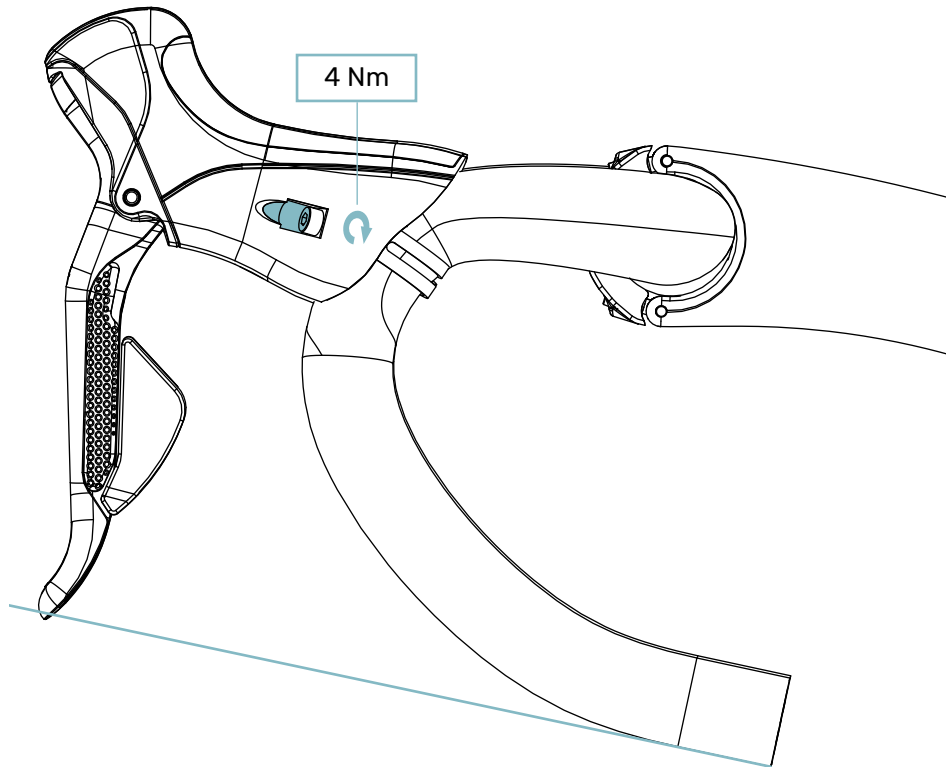
- For all other designs please contact THM
- Check bolt torque regularly.

WARNING

If the specified maximum torque is applied to the handlebar clamping and bar continues to rotate in stem despite using the friction enhancer, your handlebar can slip while riding which could lead to a loss of control of the bike resulting in serious injury and/or death. Do not ride. Contact THM.

3 HOOD (TO HANDLEBAR) POSITION

- Rotate the bar in the stem to get the angle you want on the drops.
- THM recommends that the brake lever is in alignment with the ends of the drops. *(Figure 4)*



(Figure 4)

4 FIX SHIFT/BRAKE LEVER TO HANDLEBAR

- Remove all sharp edges and burrs from the clamping surface of the shifter and the clamp before starting the assembly. Use a fine grid sandpaper.
- Use isopropyl alcohol or brake degreaser to clean the shift/brake lever body and handlebar surfaces.
- Do not use lubricants at all.
- Make sure you are assembling the brake lever only on the abrasive surface of the handlebar. *(Figure 3)*
- Always use friction enhancer (carbon paste) on clamping surfaces.
- Only use as much tightening torque as needed to fix the shift/brake lever to the handlebar.
- Do not exceed the torque limit for the handlebar or the shift/brake lever. Use maximum 4 Nm of torque for the shift/brake lever clamping at the handlebar *(Figure 4)*

Use these instructions in conjunction with the instructions provided by the lever manufacturer.
 Do not exceed the specified torques of the handlebar.



ULNA ROAD BAR USER MANUAL

THM Faserverbund-Technologie GmbH
Am Sportplatz 3
D-24791 Alt Duvenstedt

info@thm.bike
www.thm.bike